

DIAMOND
MICROWAVE
CHAMBERS LTD



POLYURETHANE

WEDGE
ABSORBERS

////// www.dmcraf.com

FOR ANTENNA TEST CHAMBERS



Premium Quality
Excellent Performance
Multiple Color Option

High performance Microwave Wedge Absorbers for Antenna, RADAR, Radome test chambers with wide frequency range of operation from 500 MHz to 100 GHz

DMC-PU-WG-MI

DMC Polyurethane Wedge Absorbers are mainly used in Antenna test chambers, Compact range and GTEM cells. DMC-PU-WG-MI series microwave wedge absorbers provide excellent performance in normal incidence and off angle incidence in test chamber.

FEATURES

- o Broadband Frequency Range of Operation from 500 MHz to 100 GHz
- o Power Handling Capacity of 1.5 kW/m², 540 V/m CW Radiated Field Strength
- o Fire Retardant as per NRL-8093 tests 1, 2, 3, UL 94 and DIN4102-B2
- o Continuous Working Temperature of up to 90°
- o Made of Environment friendly raw material. It does not emit toxic gas
- o Almost zero carbon dust, clean test site and very Low Maintenance required
- o Long product life with excellent Electrical Performance

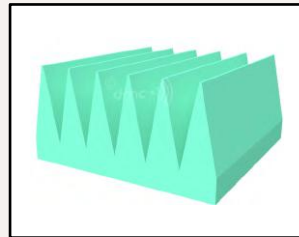
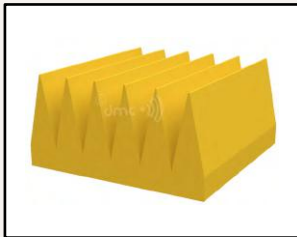
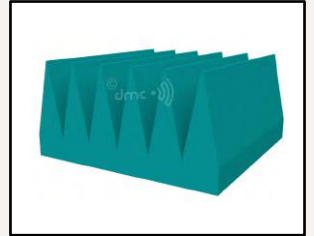
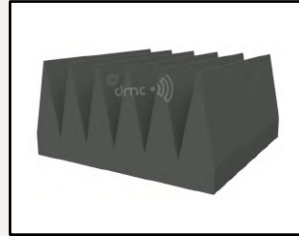
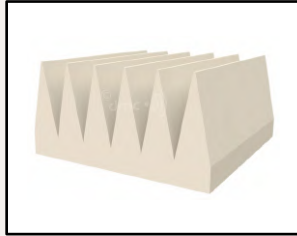
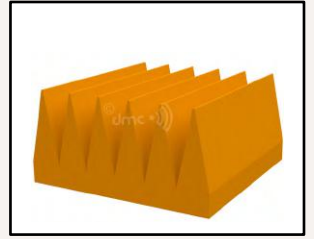
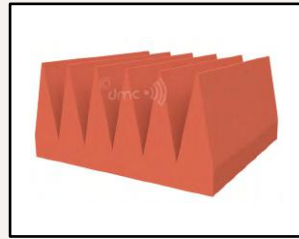
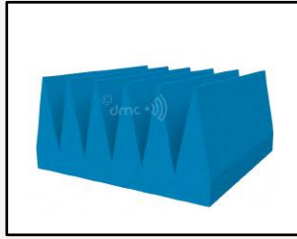
TYPICAL REFLECTIVITY AT NORMAL INCIDENCE OVER FREQUENCY RANGE IN -dB

| Model Number | 500 MHz | 1 GHz | 3 GHz | 6 GHz | 10 GHz | 18 GHz | 40 GHz | 100 GHz |
|------------------|---------|-------|-------|-------|--------|--------|--------|---------|
| DMC-PU-WG-MI-200 | | 25 | 32 | 35 | 42 | 48 | 50 | 45 |
| DMC-PU-WG-MI-300 | | 30 | 38 | 45 | 48 | 50 | 50 | 45 |
| DMC-PU-WG-MI-500 | 20 | 35 | 43 | 50 | 50 | 50 | 50 | 45 |
| DMC-PU-WG-MI-700 | 25 | 40 | 50 | 50 | 50 | 50 | 50 | 45 |

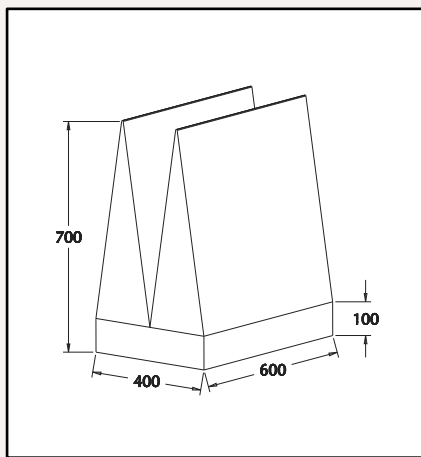
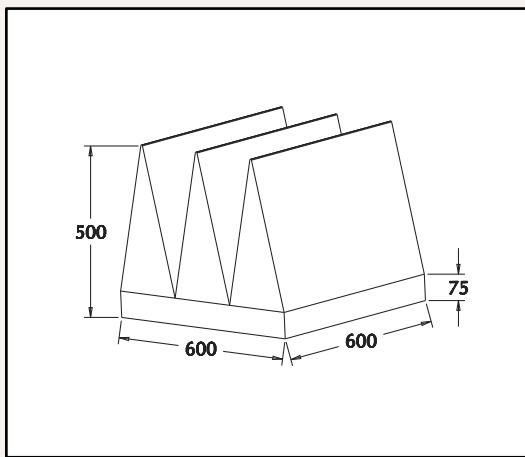
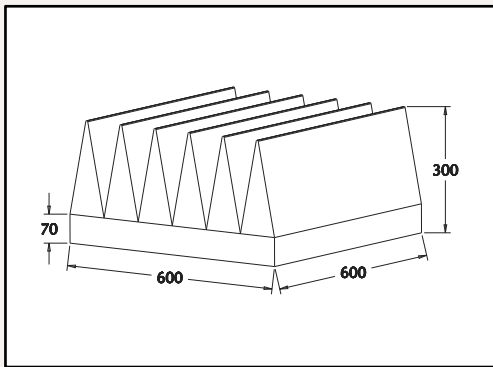
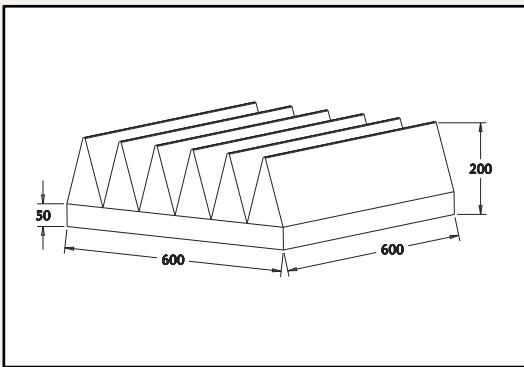
PHYSICAL PROPERTIES (in mm)

| Model Number | Overall Width | Overall Height | Base Thickness | Tip Base Width | No of Tips | Overall Weight in KG |
|------------------|---------------|----------------|----------------|----------------|------------|----------------------|
| DMC-PU-WG-MI-200 | 600 x 600 | 200 | 50 | 100 | 6 | 2.88 |
| DMC-PU-WG-MI-300 | 600 x 600 | 300 | 70 | 100 | 6 | 3.60 |
| DMC-PU-WG-MI-500 | 600 x 600 | 500 | 75 | 145 | 3 | 5.40 |
| DMC-PU-WG-MI-700 | 600 x 400 | 700 | 100 | 200 | 2 | 3.76 |

COLOR OPTIONS



Standard Colors are Blue and Unpainted Black. MOQ 300 pcs for other color options



DIMENSION



DIAMOND MICROWAVE CHAMBERS LTD

15, Fitzgerald Rd, Suite 200, Ottawa, ON, K2H 9G1

www.dmcrcf.com

sales@dmcrcf.com

support@dmcrcf.com

+1 (613) 915 5533

+1 (315) 602 2636