

DIAMOND
MICROWAVE
CHAMBERS LTD



POLYURETHANE

TRUNCATED
HYBRID ABSORBERS



Premium Quality
Excellent Performance
Multiple Color Options

////// www.dmcraf.com

FOR EMC CHAMBER

Truncated shape provides larger working space inside chamber, stronger resistance capability against mechanical damage and eliminates drooping of tips

DMC-PU-TR-HY

DMC Truncated Polyurethane foam based Hybrid Absorbers are mainly used in EMC chambers. DMC-PU-TR-HY series hybrid truncated absorbers are made by removing 20% of pyramid absorber tips to give similar performance as standard pyramid absorbers at low frequency with ferrite tiles.

FEATURES

- Broadband Frequency Range of Operation from 30 MHz to 40 GHz
- Ideal for full compliance immunity testing to IEC/EN 61000-4-3 and pre-compliance emission testing, Mil-STD-461 D/E/F and RTCA-DO-160 testing
- Power Handling Capacity of 1.5 kW/m²
- Fire Retardant as per NRL-8093 tests 1, 2, 3
- Continuous Working Temperature of up to 90°
- Made of Environment friendly raw material, it does not emit toxic gas
- Almost zero carbon dust, clean test site and very Low Maintenance required
- Long product life with excellent Electrical Performance

TYPICAL REFLECTIVITY AT NORMAL INCEDENCE OVER FREQUENCY RANGE IN -dB

Model Number	30 MHz	80 MHz	300 MHz	500 MHz	1 GHz	3 GHz	6 GHz	10 GHz	18 GHz	40 GHz
DMC-PU-TR-HY-300	11	20	17	18	15	13	17	22	25	28
DMC-PU-TR-HY-500	13	23	20	20	16	18	22	25	28	30
DMC-PU-TR-HY-700	15	25	21	20	20	20	25	28	30	30
DMC-PU-TR-HY-1000	17	27	25	25	25	30	30	35	30	30

PHYSICAL PROPERTIES(in mm)

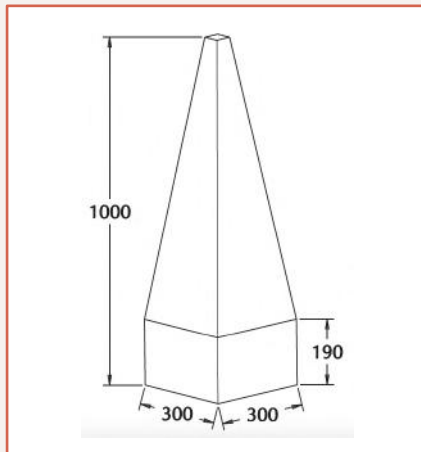
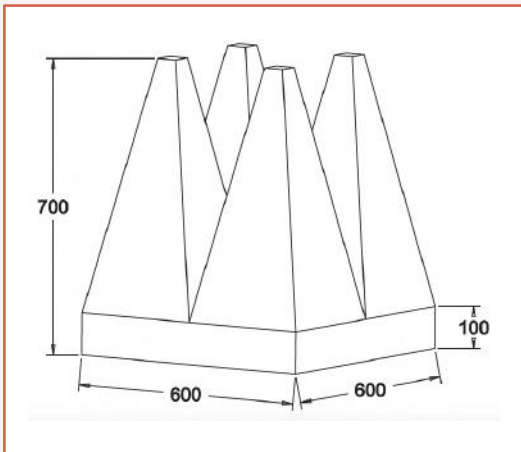
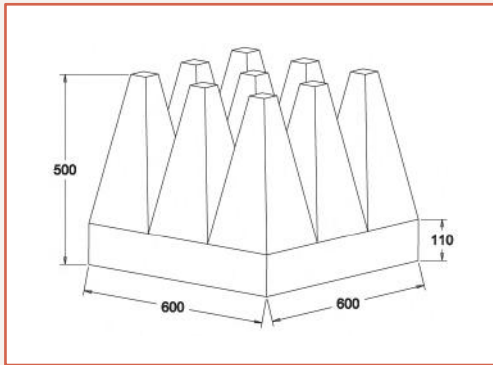
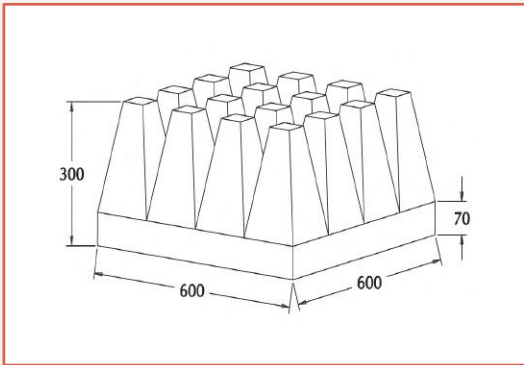
Model Number	Overall Width	Overall Height	Base Thickness	Tip Base Width	No of Tips	Overall Weight in KG
DMC-PU-TR-HY-300	600 x 600	300	70	145	16	3.24
DMC-PU-TR-HY-500	600 x 600	500	110	195	9	3.60
DMC-PU-TR-HY-700	600 x 600	700	110	295	4	5.04
DMC-PU-TR-HY-1000	300 x 300	1000	190	300	1	2.52

Values shown are based on testing of laboratory test product and represent data that falls within normal range purposes. Construction standards and absorber mounting procedure defines accurate results. The given information is based on data and knowledge considered to be true and accurate and is offered for the user's consideration, investigation and verification but we don't warrant the results to be obtained.

COLOR OPTIONS



Standard Colors are Blue and Unpainted Black. MOQ 300 pcs for other color options



DIMENSIONS



DIAMOND MICROWAVE CHAMBERS LTD

15, Fitzgerald Rd, Suite 200, Ottawa, ON, K2H 9G1

www.dmcrf.com

sales@dmcrf.com

support@dmcrf.com

+1 (613) 915 5533

+1 (315) 602 2636