

DIAMOND  
MICROWAVE  
CHAMBERS LTD



POLYURETHANE

FLAT  
ABSORBERS

- » Premium Quality
- » Excellent Performance
- » Multiple Color Options

////// [www.dmcraf.com](http://www.dmcraf.com)

FOR ANECHOIC CHAMBERS

High performance Flat absorbers for applying on corners of Anechoic chambers, to cover positioner and for Shielding cabinets

## DMC-PU-FLT

DMC premium quality high performance Polyurethane Flat Absorbers are made of carbon impregnated polyurethane foam. DMC-PU-FLT series microwave absorbers are used on Doors, Anechoic chamber corners, RF shielded cabinets.

### FEATURES

- Frequency Range of Operation from 1 GHz to 40 GHz
- Power Handling Capacity of 1.5 kW/m<sup>2</sup>, 540 V/m CW Radiated Field Strength
- Fire Retardant as per NRL-8093 tests 1, 2, 3, UL 94 and DIN4102-B2
- Continuous Working Temperature of up to 90°
- Made of Environment friendly raw material. It does not emit toxic gases
- Almost zero carbon dust, clean test site and very Low Maintenance required
- Long product life with excellent Electrical Performance

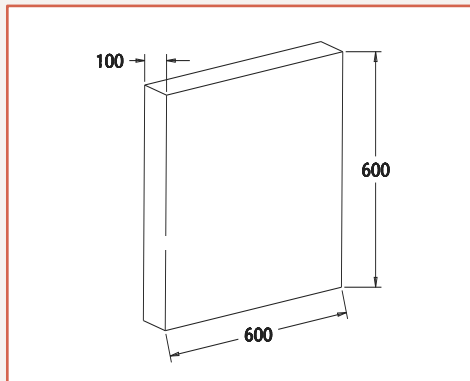
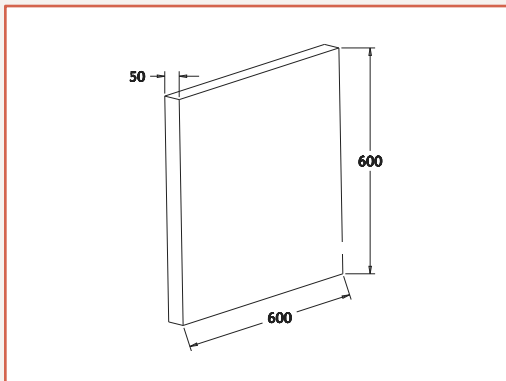
#### TYPICAL REFLECTIVITY OVER FREQUENCY RANGE IN -dB

Model Number	Thickness	1 GHz	3 GHz	6 GHz	10 GHz	18 GHz	40 GHz
DMC-PU-FLT-5	5 mm				5	10	15
DMC-PU-FLT-10	10 mm			10	15	15	18
DMC-PU-FLT-20	20 mm		10	15	17	17	20
DMC-PU-FLT-50	50 mm	10	18	18	19	19	22
DMC-PU-FLT-100	100 mm	15	19	19	20	10	22

# COLOR OPTIONS



Standard Colors are Blue and Unpainted Black. MOQ 300 pcs for other color options



# DIMENSIONS



## DIAMOND MICROWAVE CHAMBERS LTD

15, Fitzgerald Rd, Suite 200, Ottawa, ON, K2H 9G1

[www.dmcrcf.com](http://www.dmcrcf.com)

[sales@dmcrcf.com](mailto:sales@dmcrcf.com)

[support@dmcrcf.com](mailto:support@dmcrcf.com)

+1 (613) 915 5533

+1 (315) 602 2636